

## Next steps and support for your Starter Development Kit

### The system is now ready to be programmed using the installed SDK.

Open any of the example projects supplied with the SDK, and program the board.

Once programmed, the system can be connected to any suitable host.

### Community forums

<https://developer.qualcomm.com/forums/qdn-forums/hardware>

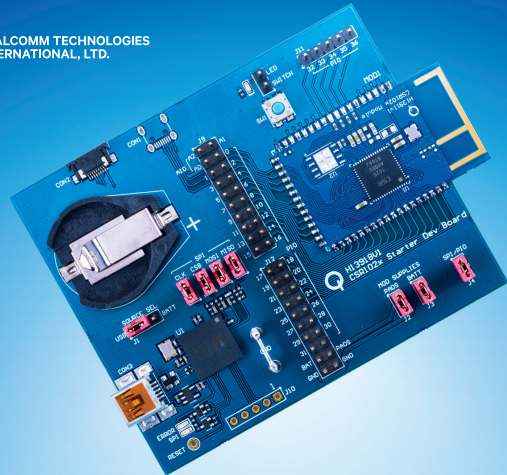
### Product info

<https://developer.qualcomm.com>



[developer.qualcomm.com](https://developer.qualcomm.com)

© 2017 Qualcomm Technologies International, Ltd. All rights reserved. Qualcomm is a trademark of Qualcomm Incorporated, registered in the United States and other countries. The Bluetooth® word mark and logos are registered trademarks owned by Bluetooth SIG, Inc. and any use of such marks by Qualcomm Technologies International, Ltd. is under license. Other products and brand names may be trademarks or registered trademarks of their respective owners. This technical data may be subject to U.S. and international export, re-export, or transfer ("export") laws. Diversion contrary to U.S. and international law is strictly prohibited.



## CSR102x Starter Development Kit

Bluetooth® Low Energy Single Mode SoC

# Setup Guide

A product of Qualcomm Technologies International, Ltd.

80-CE181-4 Rev.A

This setup guide helps you set up and use your Starter Development Kit

### Component list

#### 01 Starter Development Board with CSR102x module

- A. Simple UI
- B. Radio module
- C. Module isolation jumpers
- D. PIO breakout
- E. USB connector
- F. Power select
- G. CR2032 coin cell holder
- H. Flat cable connector

#### 02 Flat programming cable

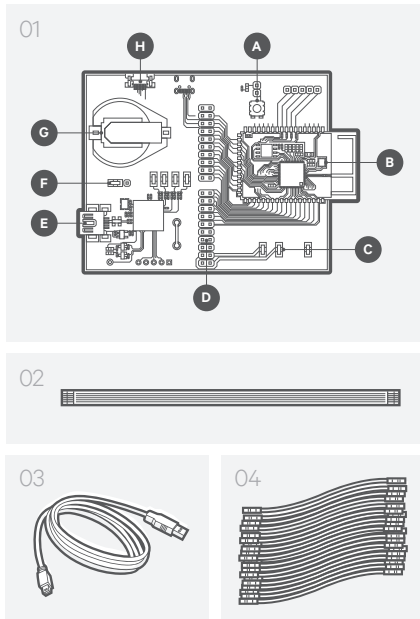
For programming external boards

#### 03 USB cable

For programming and debugging connection to host PC

#### 04 Jumper leads

Jumper cables for on board UI for connection to simple UI (LED and button)



Downloading and installing software on development PC

#### 01 Downloading the SDK requires registration. The packaging of this development kit contains an activation code.

For instructions on how to complete this process, visit:

<https://developer.qualcomm.com/csr102x-activation>

#### 02 Ensure all software is installed before connecting to any hardware.

It is recommended that all default options be selected during installation.

Setting up and connecting the development hardware

*Note: Ensure the software is installed before proceeding.*

#### 01 Remove the Starter Development Board from the anti-static packaging at an appropriate workstation.

#### 02 Connect the USB cable to the Starter Development Board.

#### 03 Connect the other end of the mini-USB cable to a free USB port on the development PC.

#### 04 The device drivers necessary to connect to the target board should already be installed on the PC as part of the SDK installation.